



Customer Services

SERVICE BULLETIN

No. 193

Piper Aircraft Corporation

Lock Haven, Pennsylvania, U.S.A.

F.A.A. APPROVED

June 17, 1960

SUBJECT: Modification of Fuel Cell Vent Tube

MODELS AFFECTED: PA-24 and PA-24-250 Comanches Serial Nos. 24-1 to 24-2161 inclusive

DATE OF COMPLIANCE: Prior to but not later than next 50 hour inspection

This bulletin is to advise that the fuel cell vent tubes on the subject aircraft as indicated by the above serial numbers are to be modified as follows:

A .098 hole is to be drilled in each of the vent tubes as shown on the sketch on the reverse side of this bulletin.

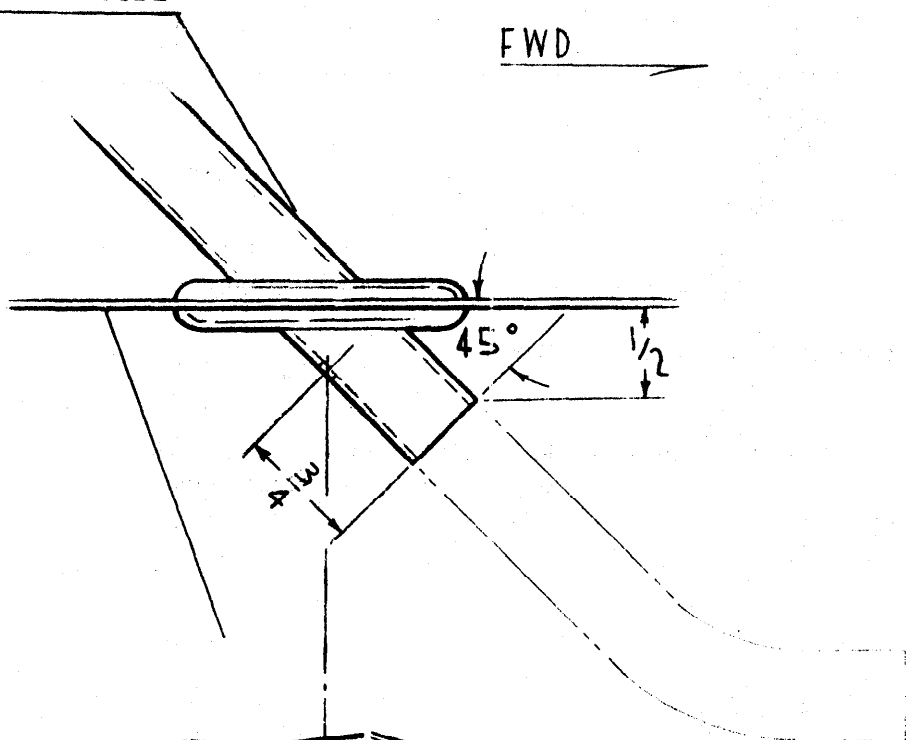
This modification will minimize the possibility of any interruption of the fuel flow in the event that the opening of the vent tube should become obstructed.

(Over)

SERVICE BULLETIN Nº 193

FUEL CELL VENT TUBE

FWD



.098 HOLE

